

## The COMPACT – the AGV that fits



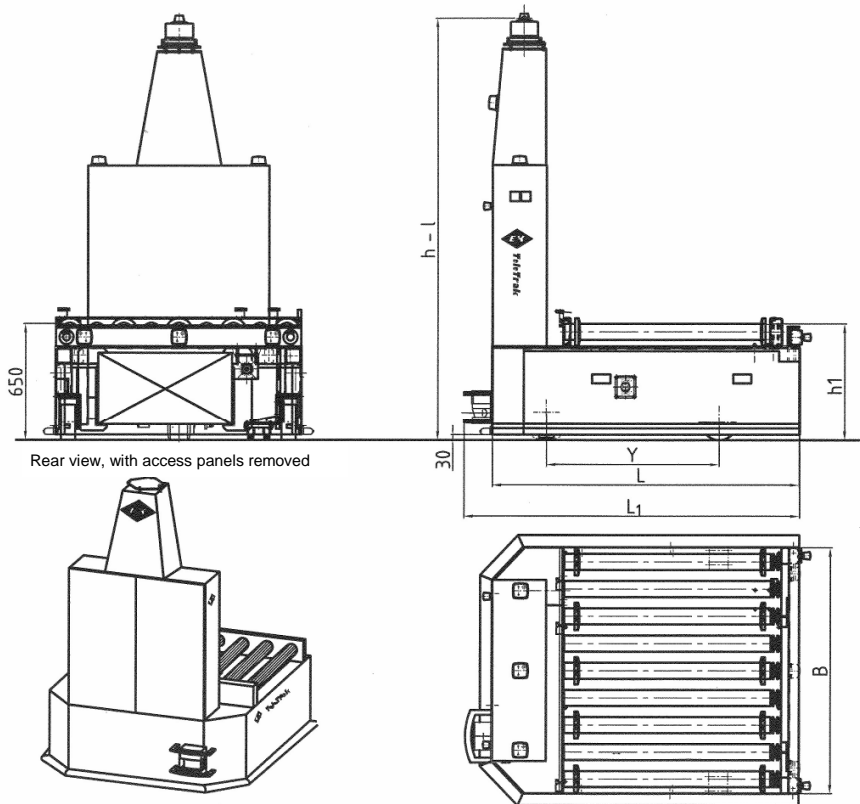
The COMPACT is a small footprint AGV, designed to fit into the tightest space, yet remain truly service-friendly.

With roller, belt or chain conveyor, and even telescopic forks, the COMPACT is ideally suited to medium volume transport duties, where space is at a premium.

With our tried & tested basic design, it's only the load handling device that's job-specific. You get custom technology that's cost-effective and risk-free.

- ✓ **A tried & tested basic design, modular build, and a job-specific load handling device**
- ✓ **With roller, belt or chain conveyor, and even telescopic forks, the COMPACT is made for automatic load transfer**
- ✓ **Laser or magnet navigation, or as an alternative, our inductive and optical guidance systems with PLC control**
- ✓ **Ideally suited to multi-shift working**
- ✓ **Easy battery change, using a standard pallet truck**
- ✓ **Automatic battery charging options, including our Non-Contact Power System**
- ✓ **Load capacity up to 2000 kg**

- + **Flexibility** – with laser navigation, installation is quick, easy and low-cost. There is **no floor installation**. The track and stations are created in AutoCAD, and the software is downloaded straight to the AGV. The COMPACT is soon hard at work, delivering goods.
- + **Compact** – the COMPACT is a small footprint AGV, designed to fit into the tightest production space.
- + **Efficiency** - high. The COMPACT can be fitted with various load-handling devices, and can even drive at high speeds - up to 1.5 m/s. The COMPACT delivers efficiency.
- + **Cost effective** – low capital cost means quick payback. COMPACT delivers a return on investment.
- + **Safety** - whether it's plastic bumpers, SICK laser scanners, contact strips, or a combination of sensors, the modular safety system delivers customized solutions.
- + **Maintenance-friendly** – electrical & control equipment is housed in the front cabinet. The battery sits under the load platform, and is easily changed using a standard pallet truck. Clear access and ergonomic work heights make for easy servicing.
- + **Open systems** – only standard and proven components are used in the COMPACT (e.g. Siemens S7 PLC, Schabmüller drives, etc.).
- + **Manual operation** – for flexibility, all AGV movements can be executed in manual mode.



Length of chassis (L) / total (L1) : 1,690 / 1,850 mm  
 Width of chassis (B) / total (Bges) : 1,360 / 1,490 mm  
 Height of chassis (Hr) / total (H-l) : 2,200 / 2,350 mm  
 Length of bumper front (Lbv) : dynamic laser  
 Length of front box (Lv) : 300 mm  
 Wheel base (Y) : 950 mm  
 Roller conveyor pitch : -- mm

Height of load transfer : 650 mm  
 Total payload : 1,000 kg  
 Weight incl. lead-acid battery : 1,800 kg  
 Drive : 1.5 kW, shunt motor  
 Forward/reverse speed : max.1.5 / -- (1.5) m/s  
 Positioning tolerance : ± 10 mm  
 Battery : PzS, 48 V, 390 Ah

Guidance	Load handling	Power system	Safety system	Communication	Equipment
<input type="checkbox"/> Inductive <input type="checkbox"/> Optical <input type="checkbox"/> Laser navigation <input type="checkbox"/> Spot guidance <input type="checkbox"/> Spot navigation <input type="checkbox"/> Contour based guidance	<input type="checkbox"/> Forks <input type="checkbox"/> Telescopic forks <input type="checkbox"/> Turret forks <input type="checkbox"/> Roller conveyor <input type="checkbox"/> Chain conveyor <input type="checkbox"/> Lifting table <input type="checkbox"/> Loading platform <input type="checkbox"/> Trailer hitch	<input type="checkbox"/> Lead-acid <input type="checkbox"/> Lead-acid gel/fleece <input type="checkbox"/> NiCd <input type="checkbox"/> Contact-less power supply <input type="checkbox"/> 1- <input type="checkbox"/> 2- <input type="checkbox"/> 3- Shift-working <input type="checkbox"/> Manual battery connection <input type="checkbox"/> Automatic battery connection <input type="checkbox"/> Battery change <input type="checkbox"/> Automatic charge <input type="checkbox"/> Battery Charger "On Board"	<input type="checkbox"/> Personnel protection laser-scanner <input type="checkbox"/> front <input type="checkbox"/> back <input type="checkbox"/> Fixed safety and warning field <input type="checkbox"/> Variable safety and warning field <input type="checkbox"/> Macrolon bumper <input type="checkbox"/> front <input type="checkbox"/> rear <input type="checkbox"/> Soft-foam bumper <input type="checkbox"/> front <input type="checkbox"/> rear <input type="checkbox"/> Safety edge <input type="checkbox"/> sideways <input type="checkbox"/> front <input type="checkbox"/> rear	<input type="checkbox"/> Infrared 8 bit Transmitter/Receiver <input type="checkbox"/> Photo sensor <input type="checkbox"/> Infrared IRDN <input type="checkbox"/> Radio 8 bit digital <input type="checkbox"/> Radio 456 MHz (Narrow band) <input type="checkbox"/> WLAN IEEE802.11b/g	<input type="checkbox"/> Fine positioning system <input type="checkbox"/> Obstacle detection <input type="checkbox"/> Radio <input type="checkbox"/> <input type="checkbox"/> <input type="checkbox"/>
<b>Drive &amp; steer options</b> <input type="checkbox"/> 3- <input type="checkbox"/> 4- <input type="checkbox"/> 5- <input type="checkbox"/> 6- Wheels <input type="checkbox"/> 1 <input type="checkbox"/> 2 Driven wheels <input type="checkbox"/> 1 <input type="checkbox"/> 2 Steering wheels					

Only for information / Subject to change without notice / Data Sheet COMPACT\_roller-conveyor\_V201\_EN.doc

