

# MOTOMAN GP225

Handling & General Applications  
with the GP-series



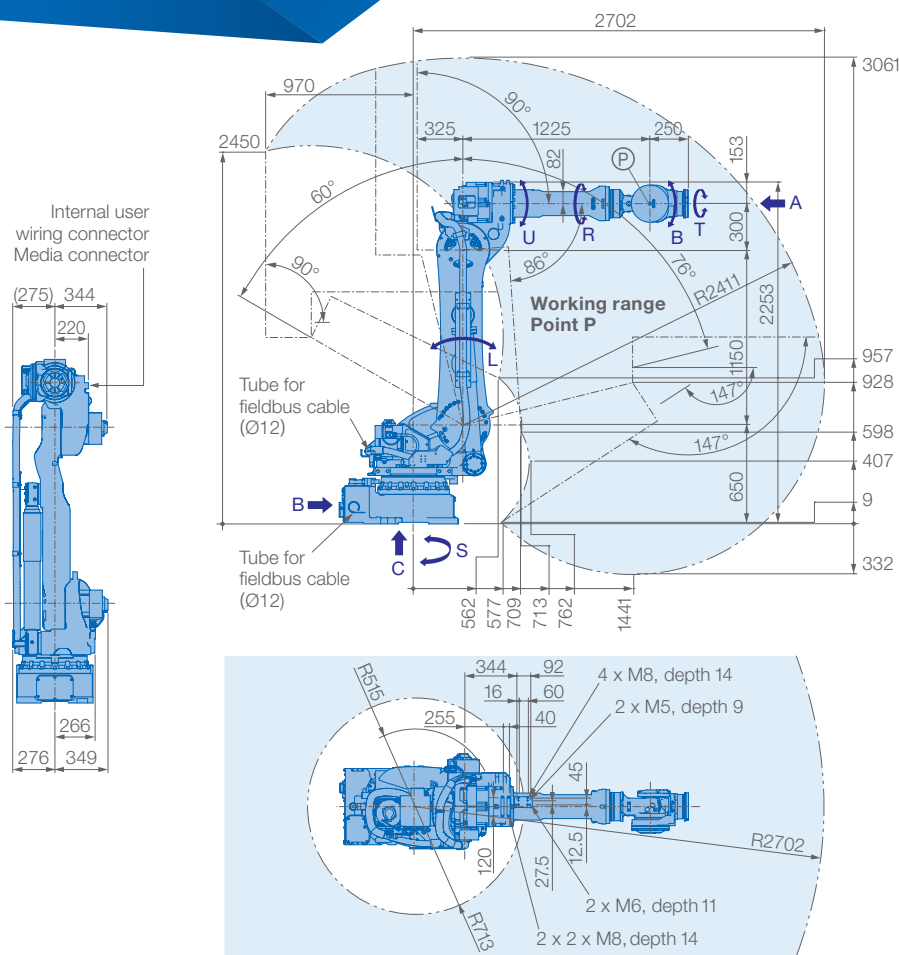
The 6-axis MOTOMAN MH225 is a versatile, high speed robot offering superior performance for a variety of applications, like material handling, machine and press tending.

Despite of providing a high payload of 225 kg and the wide motion range of 2702 mm, the MOTOMAN GP225 was designed with a width of 625 mm, therefore valuable floor space can be saved.

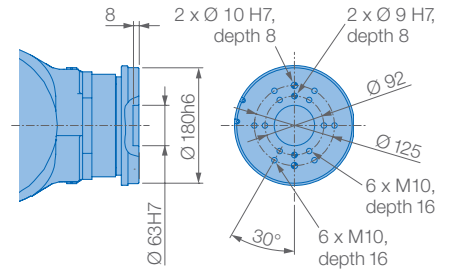
With the higher axis operation speed and speed reducer rigidity, a special vibration control system was developed. By reducing cycle times, this system realises high increases in productivity.

## KEY BENEFITS

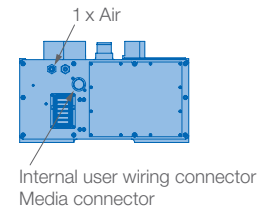
- Fast, flexible and powerful
- High payload: 225 kg
- Wide motion range: 2702 mm
- Maximum performance using minimal floor space



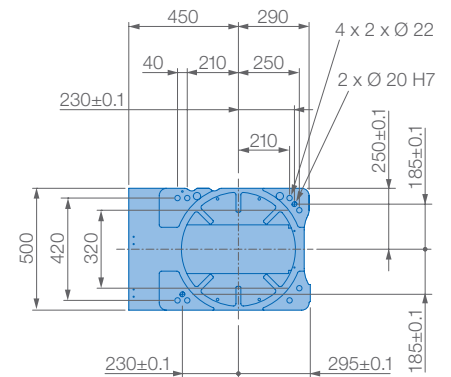
View A



View B

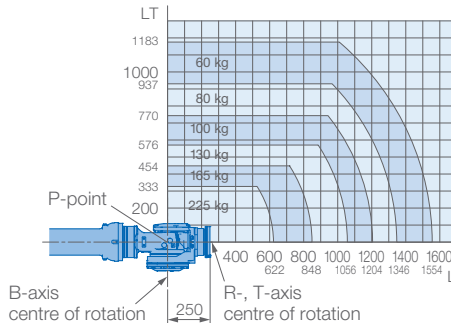


View C



Mounting option: Floor  
Protection class: IP54/67

Allowable wrist load



Specifications GP225					
Axes	Maximum motion range [°]	Maximum speed [°/sec.]	Allowable moment [Nm]	Allowable moment of inertia [kg · m <sup>2</sup> ]	Controlled axes
S	±180	120	–	–	6
L	+76/–60	97	–	–	Max. payload [kg]
U	+90/–86	115	–	–	Repeatability [mm]
R	±360	145	1372	145	Max. working range R [mm]
B	±125	145	1372	145	Temperature [°C]
T	±360	220	735	84	Humidity [%]
					Weight [kg]
					Power supply, average [KVA]

YASKAWA Europe GmbH

Robotics Division  
Yaskawastraße 1  
85391 Allershausen  
Germany

Tel. +49 (0) 8166 90-0  
robotics@yaskawa.eu.com  
www.yaskawa.eu.com

YR-1-06VX225-A00  
A-09-2019, A-No. 195946