

# MOTOMAN MH900

Heavy-duty Robot for Material Handling



Due to its heavy-duty robot design, the MOTOMAN MH900 provides superior performance in machine tending and part transfer applications. It is particularly suitable for handling castings and large weldments.

The large work envelope and high moment of inertia ratings accommodate handling of a wide range of large, heavy parts such as car frames, sheet metal, agricultural equipment, pallet-loads of bricks and other heavy materials.

This robot is ideally suited to “jigless” applications in which one robot positions the workpiece for processing by other robots, or two robots handle a single workpiece.

It offers full six-axis capability with a parallel-link construction for strength, rigidity and stabilization of high moment/inertia loads. Heavy-duty bearings ensure smooth arm rotation. Used for the loading and unloading of parts, this robot can help eliminate inconsistencies and improve reliability.

The MOTOMAN MH900 enables efficient use of the available power during motion, thereby saving energy.

Cables and air lines are routed through the robot base to the upper arm in order to increase the service life of the cables, enhance safety and reduce teaching time.

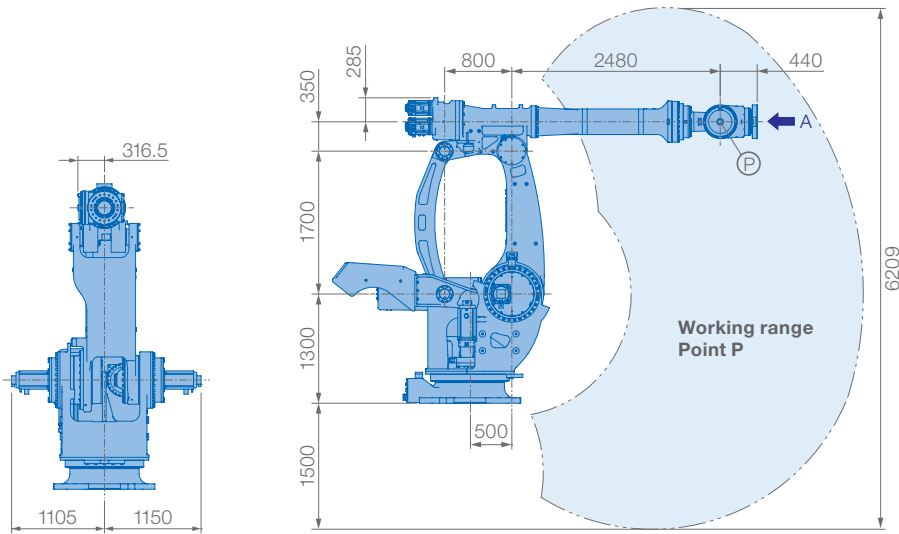
The cable installation tube in the base and major axes of the robot facilitates field bus connection and is routed to the robot upper arm and/or gripper.

## OPTIONS

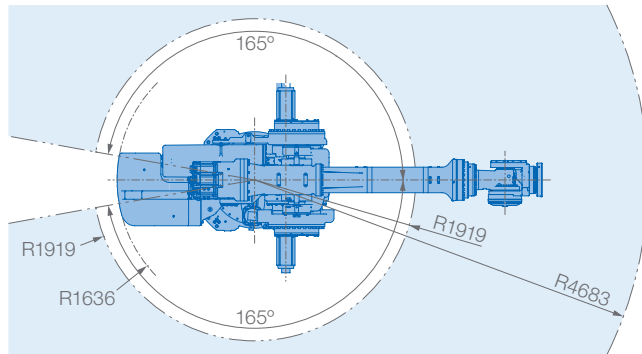
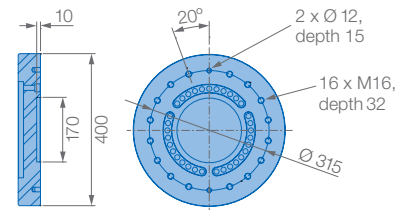
- Extended length manipulator cables
- Robot risers
- Wide variety of field bus cards
- Robot base and upper arm I/O cables

## KEY BENEFITS

- Heavy-duty, high-performance robot for high payload handling tasks
- Large working range and high moment of inertia ratings
- Enhanced safety with reliable control software for safeguarding (FSU)
- Powerful DX200 controller offers proven ease of programming



View A



Mounting option: Floor  
Protection class: IP30/67



Specifications MH900						
Axes	Maximum motion range [°]	Maximum speed [°/sec.]	Allowable moment [Nm]	Allowable moment of inertia [kg · m <sup>2</sup> ]	Controlled axes	6
S	±170	45	–	–	Max. payload [kg]	900
L	+100/–60	30	–	–	Repeatability [mm]	±0.5
U	+35/–130	30	–	–	Max. working range R [mm]	4683
R	±360	50	14700	3000	Temperature [°C]	0 to +45
B	±120	50	14700	3000	Humidity [%]	20 – 80
T	±360	70	4900	2200	Weight [kg]	9550
					Power supply, average [KVA]	35

**YASKAWA Europe GmbH**

Robotics Division  
Yaskawastraße 1  
85391 Allershausen  
Germany

Tel. +49 (0) 8166 90-0  
robotics@yaskawa.eu.com  
www.yaskawa.eu.com

YR-MH900-J00  
A-07-2018, A-No. 195957