

YASKAWA

MOTOMAN MH5S II, MH5LS II

Handling & General Applications
with the MH-series



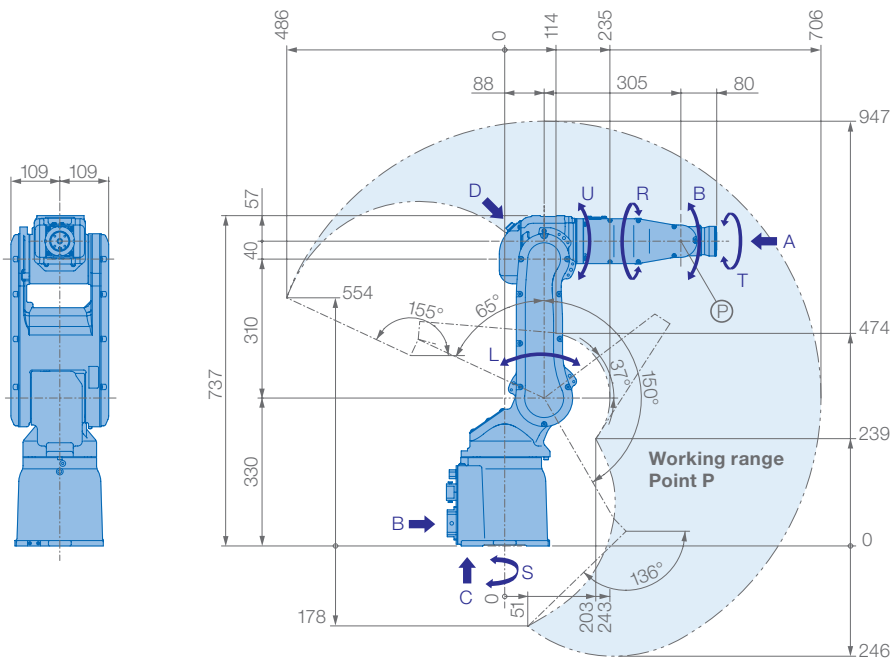
The MOTOMAN MH5S II and MH5LS II are compact, high speed 6-axis robots that offer superior performance in a variety of applications such as packaging, material handling, machine tending and dispensing, where versatility is required.

The MH5S II and MH5LS II feature high reach and offer the widest work envelope in its class. Its compact design and built-in collision detection feature with multiple robot control allow up to eight robots to be used together to optimize productivity.

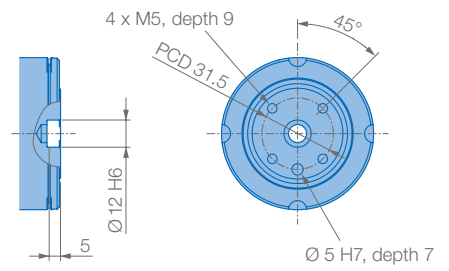
This all-round robots are driven by the high-performance-controller DX200.

KEY BENEFITS

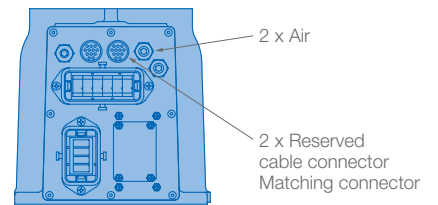
- Compact, powerful and economical
- Compact design allows maximum performance using minimal floor space
- Yields extraordinary production results while requiring minimal capital investment
- Internally routed cables and hoses maximize system reliability



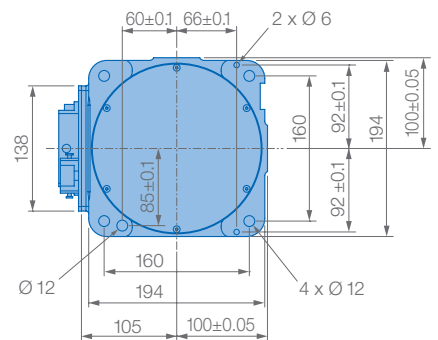
View A



View B

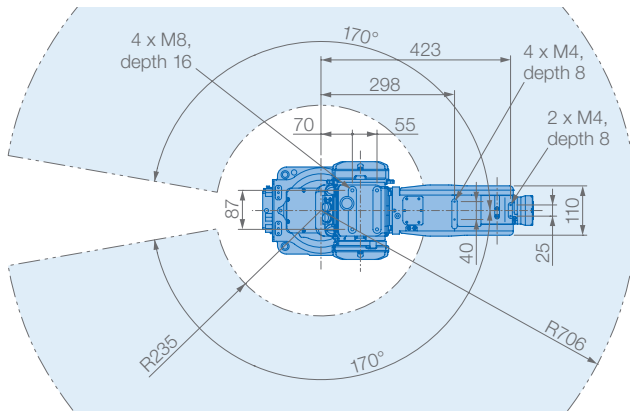
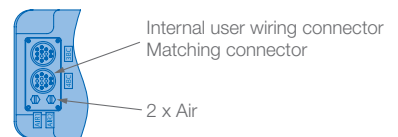


View C

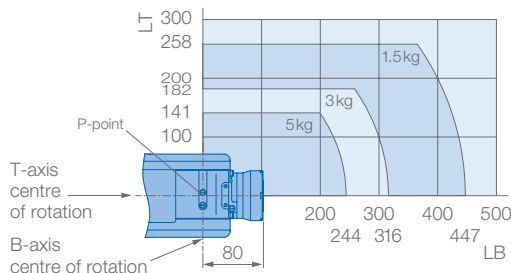


Mounting options: Floor, ceiling, wall
Protection class: IP65/6

View D



Allowable wrist load



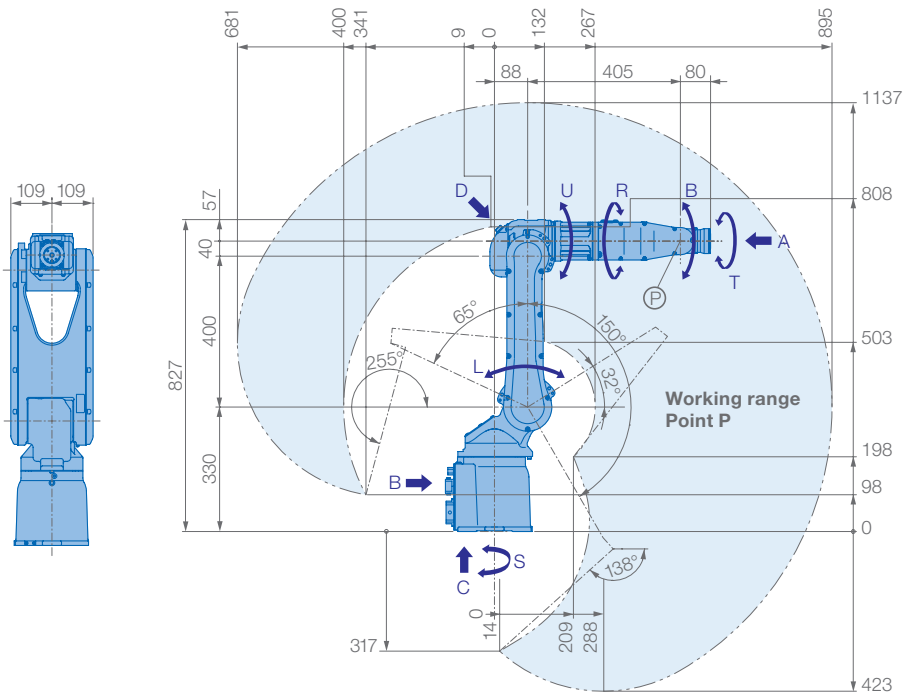
Please note wall mounting option:
±30° S-axis limit

Please note ceiling mounting option:
Please notice working range of B-axis

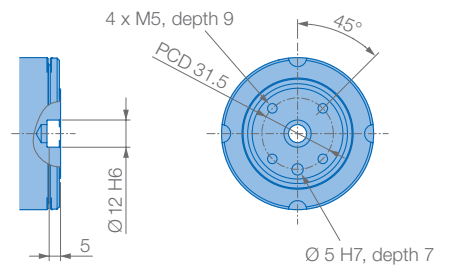
Please note tilted robot:
0°–90° limitation of S-axis, details on request

Specifications MH5S II

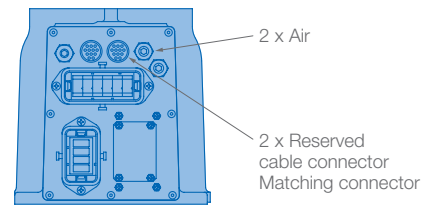
Axes	Maximum motion range [°]	Maximum speed [°/sec.]	Allowable moment [Nm]	Allowable moment of inertia [kg · m ²]	Controlled axes	6
S	±170	376	–	–	Max. payload [kg]	5
L	+150/–65	350	–	–	Repeatability [mm]	±0.02
U	+155/–136	400	–	–	Max. working range R [mm]	706
R	±190	450	12	0.3	Temperature [°C]	0 to +45
B	±135	450	12	0.3	Humidity [%]	20 – 80
T	±360	720	7	0.1	Weight [kg]	27
					Power supply, average [KVA]	1.0



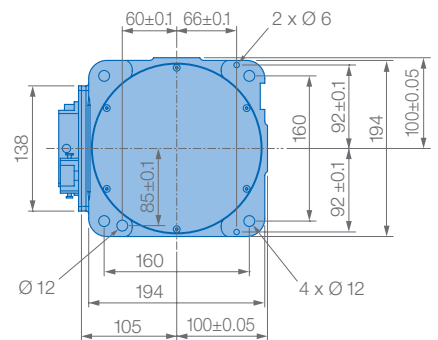
View A



View B

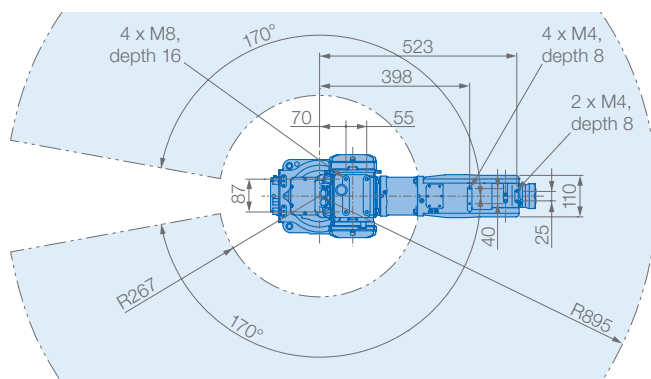
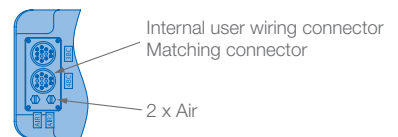


View C

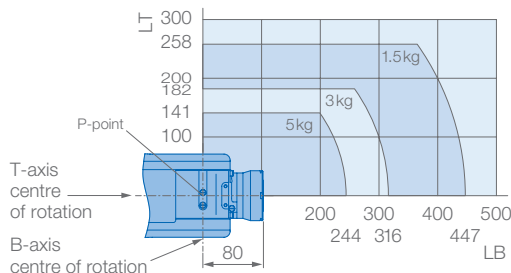


Mounting options: Floor, ceiling, wall
Protection class: IP65/6

View D



Allowable wrist load



Please note wall mounting option:
±30° S-axis limit

Please note ceiling mounting option:
Please notice working range of B-axis

Please note tilted robot:
0°–90° limitation of S-axis, details on request

Specifications MH5LS II						
Axes	Maximum motion range [°]	Maximum speed [°/sec.]	Allowable moment [Nm]	Allowable moment of inertia [kg · m ²]	Controlled axes	6
S	±170	270	–	–	Max. payload [kg]	5
L	+150/–65	280	–	–	Repeatability [mm]	±0.03
U	+155/–136	300	–	–	Max. working range R [mm]	895
R	±190	450	12	0.3	Temperature [°C]	0 to +45
B	±135	450	12	0.3	Humidity [%]	20 – 80
T	±360	720	7	0.1	Weight [kg]	29
					Power supply, average [KVA]	1.0

YASKAWA GROUP

- AT YASKAWA Austria
Schwechat/Wien
+43(0)1-707-9324-15
- CZ YASKAWA Czech s.r.o.
Rudná u Prahy
+420-257-941-718
- ES YASKAWA Ibérica, S.L.
Gavà/Barcelona
+34-93-6303478
- FR YASKAWA France SARL
Saint-Aignan-de-Grand-Lieu
+33-2-40131919
- FI YASKAWA Finland Oy
Turku +358-(0)-403000600
- GB YASKAWA UK Ltd.
Banbury +44-1295-272755
- IT YASKAWA Italia s.r.l.
Torino +39-011-9005833
- IL YASKAWA Europe Technology Ltd.
Rosh Ha'ayin +972-3-9004114
- NL YASKAWA Benelux B.V.
Son +31-40-2895500
- PL YASKAWA Polska Sp. z o.o.
Wrocław +48-71-7928670
- RU YASKAWA Nordic AB
Moskva +46-480-417-800
- SE YASKAWA Nordic AB
Torsås +46-480-417-800
- SI YASKAWA Slovenia
Ribnica +386-1-8372-410
- TR YASKAWA Turkey Elektrik
Ticaret Ltd. Sti.
İstanbul +90-216-5273450
- ZA YASKAWA Southern Africa (PTY) Ltd
Johannesburg +27-11-6083182

DISTRIBUTORS

- BG ARAMET ROBOTICS Ltd.
Yambol +359-885 317 294
Kammarton Bulgaria Ltd.
Sofia +359-02-926-6060
- DK Robotcenter Danmark
Løsning +45 7022 2477
- EE RKR Seadmed OÜ
Tallinn/Estonia +372-68-35-235
- GR Gizelis Robotics
Nea Kifissia +30-2106251455
- HU Flexman Robotics Kft
Budapest +36-30-9510065
- LT Profibus UAB
Panevezys +370-45-518575
- NO Skala Robotech AS
Lierstranda +47-32240600
- PT ROBOPLAN Lda
Aveiro +351-234 943 900
- RO Sam Robotics srl
Timisoara +40-720-279-866
MPL Automation S.R.L.
Satu Mare +40 (0) 261 750 741



YASKAWA Headquarters

YASKAWA Europe GmbH
Robotics Division
Yaskawastraße 1
85391 Allershausen, Germany
Tel. +49 (0) 8166/90-0
Fax +49 (0) 8166/90-103

robotics@yaskawa.eu.com
www.yaskawa.eu.com

YASKAWA ACADEMY and sales office Frankfurt

YASKAWA Europe GmbH
Robotics Division
Hauptstraße 185
65760 Eschborn, Germany
Tel. +49 (0) 6196/77725-0
Fax +49 (0) 6196/77725-39

All dimensions in mm.
Technical data may be subject to change without previous notice.
Please request detailed drawings at robotics@yaskawa.eu.com.

YR-MH0005SII-J12, YR-MH0005LSII-J12
A-02-2019, A-No. 167079

YASKAWA