

# YASKAWA

# MOTOMAN MH50 II

Handling & General Applications  
with the MH-series

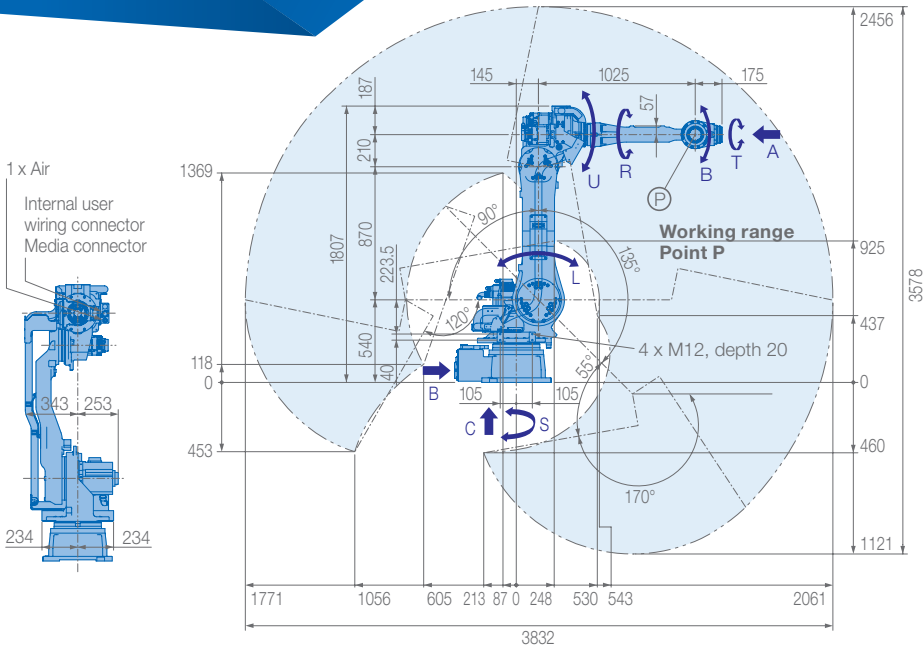


The MOTOMAN MH50 II is a versatile, high speed 6-axis robot offering superior performance in material handling, machine tending, processing and dispensing applications.

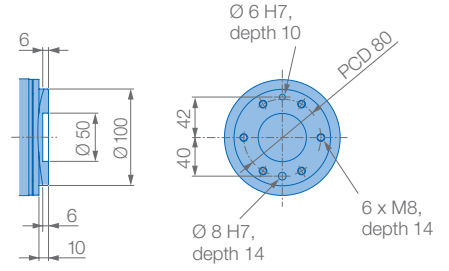
Featuring a streamlined body, the MH50 II can be placed close to machines for loading and unloading of parts.

#### KEY BENEFITS

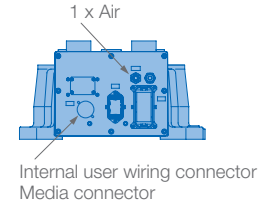
- Fast, flexible and reliable
- Ideal for a variety of applications, multi-purpose robot
- Robot with sleek design that requires minimal installation space
- 50 kg payload



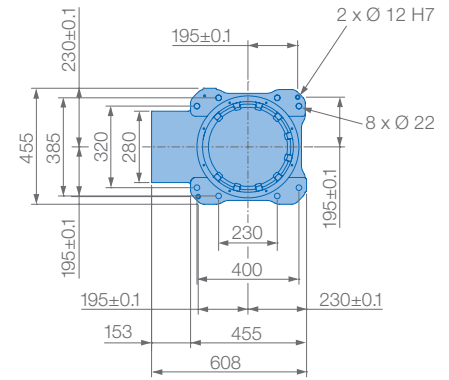
View A



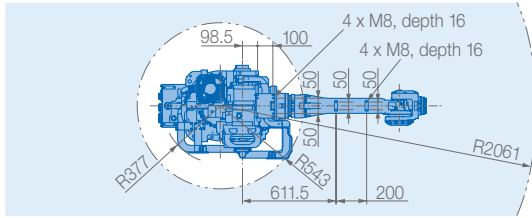
View B



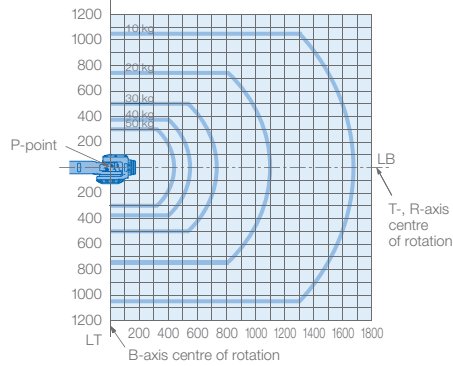
View C



Mounting options: Floor, ceiling, wall  
 Protection class: IP54/67  
**Please notice:** Just valid for body/wrist, connector base not protected



Allowable wrist load



**Please note wall mounting option:**  
 ±30° S-axis limit

**Please note ceiling mounting option:**  
 Please notice working range of B-axis

**Please note tilted robot:**  
 0°–90° limitation of S-axis, details on request

Specifications MH50 II						
Axes	Maximum motion range [°]	Maximum speed [°/sec.]	Allowable moment [Nm]	Allowable moment of inertia [kg · m <sup>2</sup> ]	Controlled axes	6
S	±180	180	–	–	Max. payload [kg]	50
L	+135/–90	178	–	–	Repeatability [mm]	±0.07
U	+251/–170	178	–	–	Max. working range R [mm]	2061
R	±360	250	216	28	Temperature [°C]	0 to +45
B	±125	250	216	28	Humidity [%]	20 – 80
T	±360	360	147	11	Weight [kg]	550
					Power supply, average [KVA]	4.0

YASKAWA Europe GmbH

Robotics Division  
 Yaskawastraße 1  
 85391 Allershausen  
 Germany

Tel. +49 (0) 8166 90-0  
 robotics@yaskawa.eu.com  
 www.yaskawa.eu.com

YR-MH00050II-J00  
 A-07-2018, A-No. 167071