

# MOTOMAN MH180

Handling & General Applications  
with the MH-series



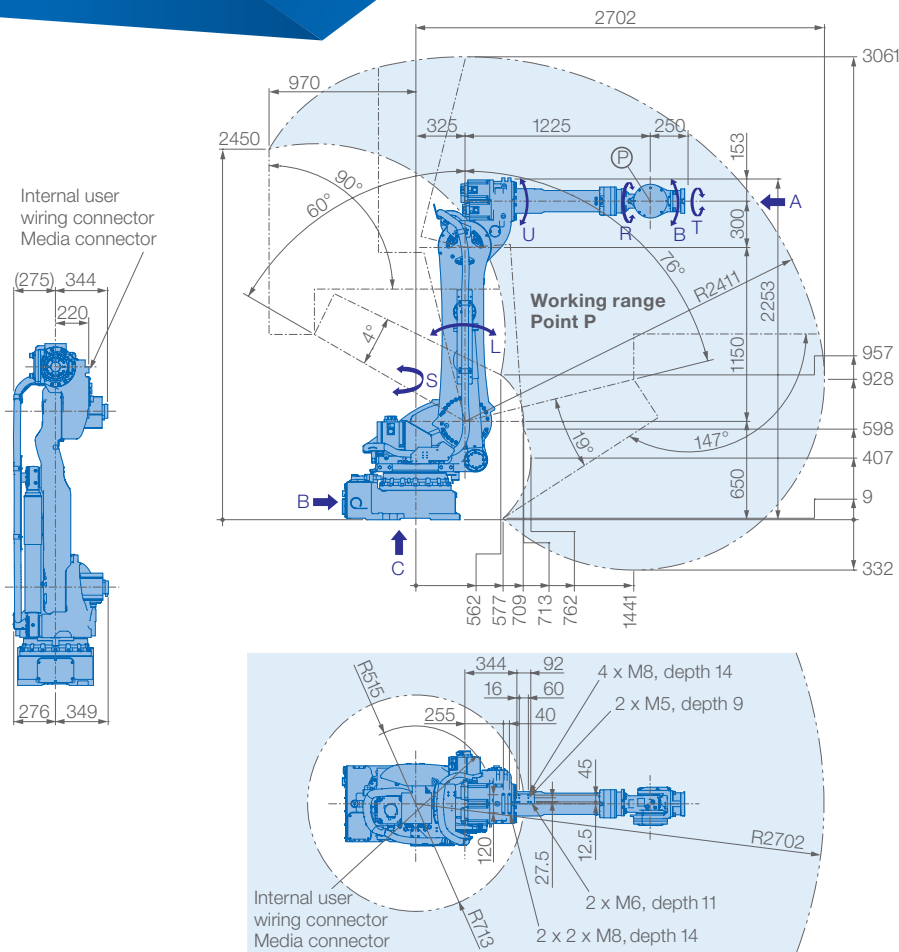
The 6-axis MOTOMAN MH180 is a versatile, high speed robot offering superior performance for a variety of applications, like material handling, machine and press tending.

Despite of providing a high payload of 180 kg and the wide motion range of 2702 mm, the MOTOMAN MH180 was designed with a width of 625 mm, therefore valuable floor space can be saved.

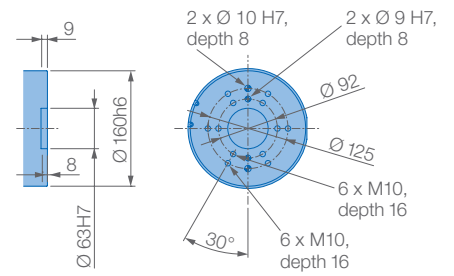
With the higher axis operation speed and speed reducer rigidity, a new vibration control system was developed. By reducing cycle times, this system realises high increases in productivity.

## KEY BENEFITS

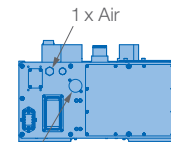
- Fast, flexible and powerful
- High payload: 180 kg
- Wide motion range: 2702 mm
- Maximum performance using minimal floor space



View A

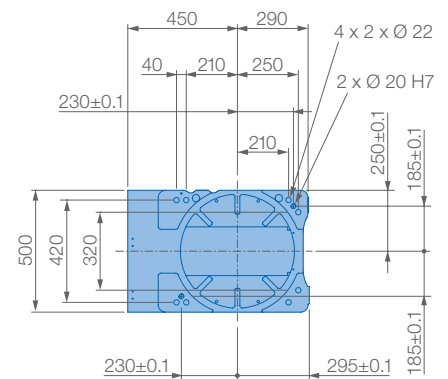


View B



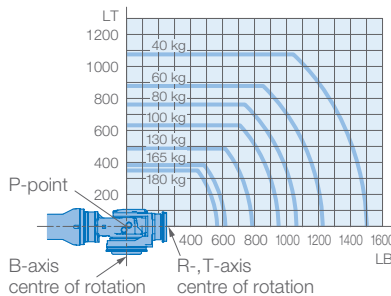
Internal user wiring connector  
Media connector

View C



Mounting option: Floor  
Protection class: IP54/67

Allowable wrist load



Specifications MH180						
Axes	Maximum motion range [°]	Maximum speed [°/sec.]	Allowable moment [Nm]	Allowable moment of inertia [kg · m <sup>2</sup> ]	Controlled axes	6
S	±180	125	-	-	Max. payload [kg]	180
L	+76/-60	115	-	-	Repeatability [mm]	±0.2
U	+90/-147	125	-	-	Max. working range R [mm]	2702
R	±360	182	1000	90	Temperature [°C]	0 to +45
B	±130	175	1000	90	Humidity [%]	20 - 80
T	±360	265	618	46.3	Weight [kg]	970
					Power supply, average [KVA]	5.0