

MOTOMAN MA2010

Shielded Arc Welding with the MA-series



With its long arm, the 6-axis MOTOMAN MA2010 high-speed robot offers the greatest reach in its class (max. 2010 mm) and a high payload capacity of 10 kg. Despite the use of a heavy welding torch, it can thus move a long way into fixtures or work pieces.

The MOTOMAN MA2010 has been specially developed for welding thin work pieces using the front pull system or water-cooled welding torches.

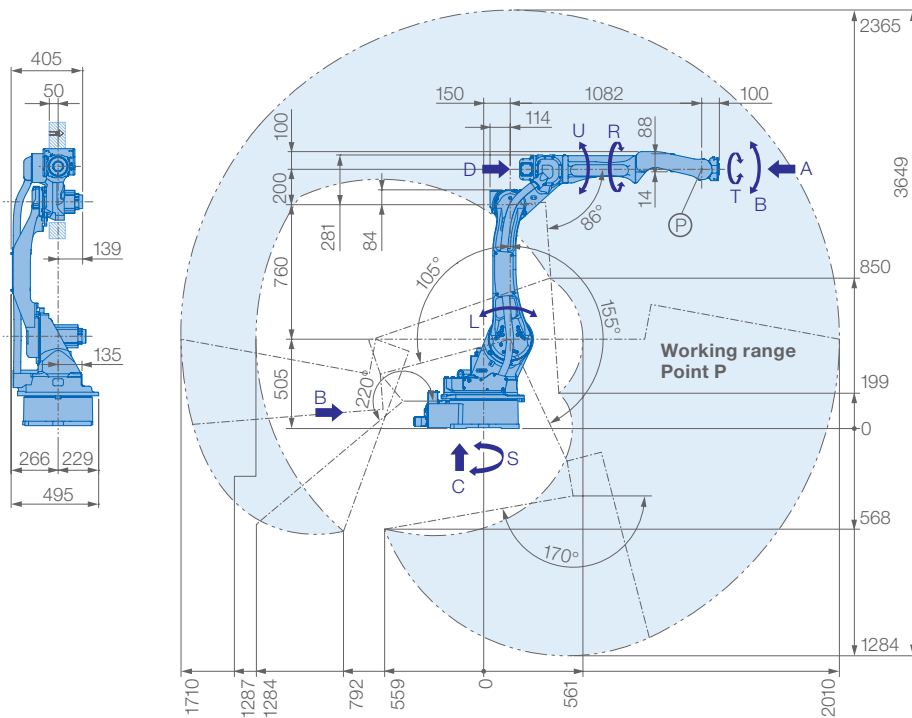
With the extended hollow structure (diameter 50 mm) of the upper arm, this robot enables internal routing of the welding hose package, thereby increasing its service life and reducing interference contours.

With its streamlined design, the MOTOMAN MA2010 has a minimal footprint, enabling multiple manipulators to be lined up close together.

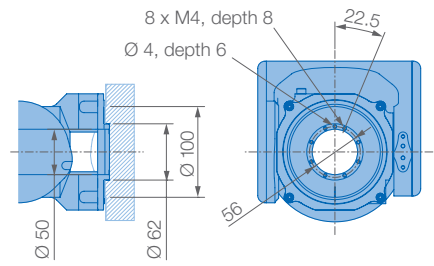
Furthermore, its fast motion sequences and high repeatability ensure high work piece output.

KEY BENEFITS

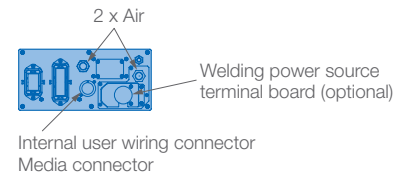
- Greatest reach in its class: 2010 mm
- High payload capacity: 10 kg
 - Enables the mounting of heavy water-cooled torches or front pull system
 - Specially developed for welding thin workpieces
- Hollow front arm:
 - Diameter 50 mm
 - Minimized interference contours
- Streamlined design
- High productivity



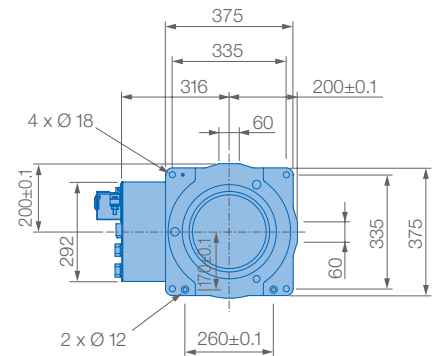
View A



View B

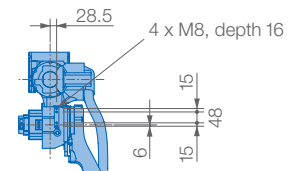


View C



Mounting options: Floor, ceiling, wall
Protection class: IP54/67

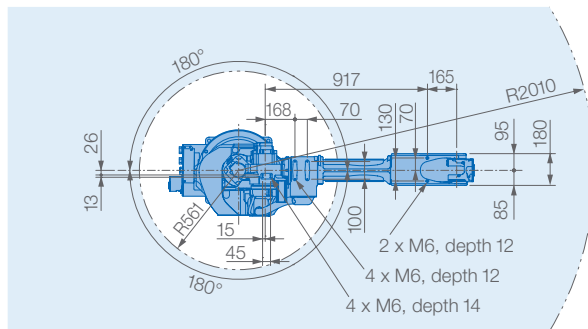
View D



Please note wall mounting option:
±30° S-axis limit

Please note ceiling mounting option:
Please notice working range of B-axis

Please note tilted robot:
0°–90° limitation of S-axis, details on request



Specifications MA2010 (Type floor, wall: YR-MA2010-A00, type ceiling: YR-MA2010-A10)

Axes	Maximum motion range [°]	Maximum speed [°/sec.]	Allowable moment [Nm]	Allowable moment of inertia [kg · m ²]	Controlled axes	6
S	±180	197	–	–	Max. payload [kg]	10
L	+155/–105	190	–	–	Repeatability [mm]	±0.08
U	+220/–170	210	–	–	Max. working range R [mm]	2010
R	±150	410	22	0.65	Temperature [°C]	0 to +40
B	A00: +90/–135 A10: +135/–90	410	22	0.65	Humidity [%]	20 – 80
T	±210	610	9.8	0.17	Weight [kg]	280
					Power supply, average [KVA]	2

YASKAWA Europe GmbH

Robotics Division
Yaskawastraße 1
85391 Allershausen
Germany

Tel. +49 (0) 8166 90-0
robotics@yaskawa.eu.com
www.yaskawa.eu.com

YR-MA2010-A00, YR-MA2010-A10
A-07-2018, A-Nr. 166334