

# MOTOMAN MPP3S

Handling, Picking & Packing  
with the MPP-series



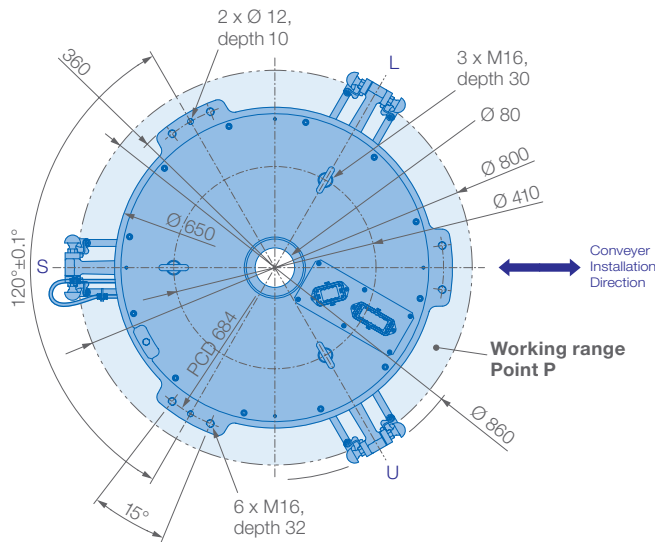
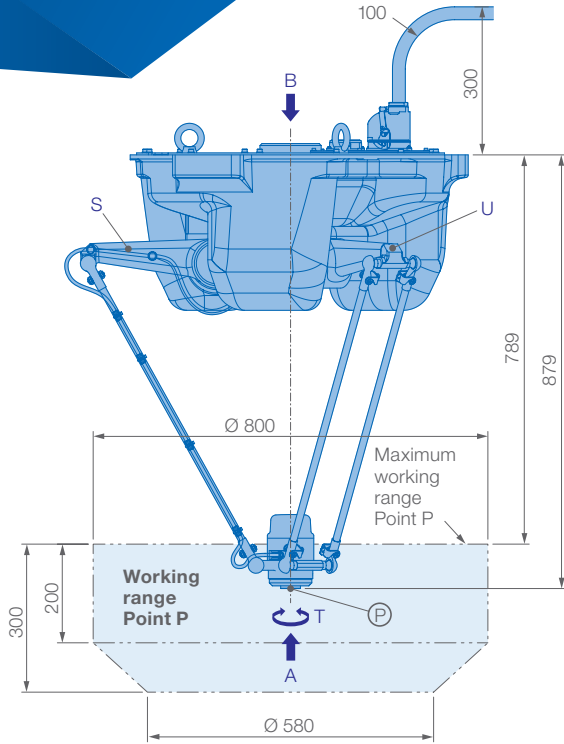
The MOTOMAN MPP3S 4-axis high-speed robot with parallel kinematic system combines the speed of the delta design with a high payload capacity and a large working range. Due to the high torque of the fourth axis, the so-called wrist axis, the MOTOMAN MPP3S moves payloads of up to 3 kg at unprecedented speeds. This delta robot was developed for a wide spectrum of industries, such as food and beverage, pharmaceutical and the automotive sector.

The MPP3S is driven by YASKAWA's compact FS100 controller and is available with advanced technologies such as MotoSight, MotoPick and conveyor tracking.

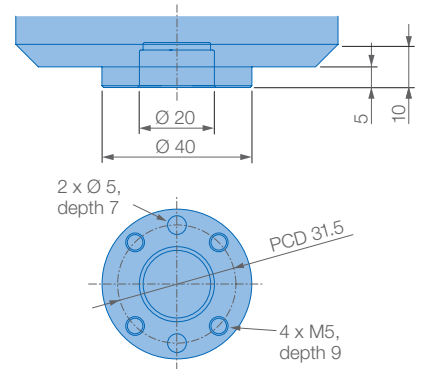
## KEY BENEFITS

- Protection classification IP67
- ISO class 4 (with 50% speed), clean room rated
- ISO class 5 (with 100% speed), clean room rated
- Payloads with unprecedented speed:
  - 150 cycles per minute with 3 kg payload
  - 185 cycles per minute with 1 kg payload
- Total stroke of 300 mm with a working range of 800 mm
- High-precision, high-speed conveyor tracking
- Maximum machine accuracy
- Compact installation space: 684 mm diameter



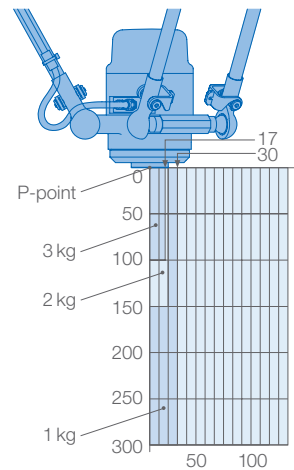


## View A



Mounting option: Ceiling  
Protection class: IP67

## Allowable wrist load



Bitte kontaktieren Sie bei Planung eines Multi-Robot-Systems Ihren zuständigen YASKAWA-Vertriebsmitarbeiter.



## Specifications MPP3S

Plattern	Payload [kg]	CPM *	Payload [kg]	CPM *	Controlled axes	
					Max. payload [kg]	
25-305-25	1	230	3	170	Repeat. pos. accuracy [mm]	±0.1
300-400-100	1	100	3	80	Repeat. rotational accuracy of T-axis [arc x min -1]	±1
70-700-70	1	130	3	95	Max. working range R [mm]	800
	Conveyor speed ** [mm/s]		Conveyor position repeat accuracy ** [mm]		Temperature [°C]	0 to +40
	800		1,0		Humidity [%]	20 – 80
	1300		1,5		Weight [kg]	95
	2000		3,0		Power supply, average [KVA]	1.5
					IP class	IP67
					IPA cleanroom class	4/5 ***

\* Cycle time without picking time and product. \*\* Values determined under test conditions, differences possible depending on application. \*\*\* ISO 4 with 50% speed, ISO 5 with 100% speed.

# YASKAWA

www.yaskawa.eu.com

**YASKAWA Europe GmbH**  
Robotics  
Yaskawastraße 1  
85391 Allershausen, Germany  
Tel. +49 (0) 8166 90-0  
robotics@yaskawa.eu.com

All dimensions in mm

Technical data may be subject to change without previous notice | Please request detailed drawings at robotics@yaskawa.eu.com

YR-MPP003S-A00  
A-05-2017, A-No. 166332