

YASKAWA

MOTOMAN GP-Shelftype-series

Handling & General Applications
with the Shelftype GP-series

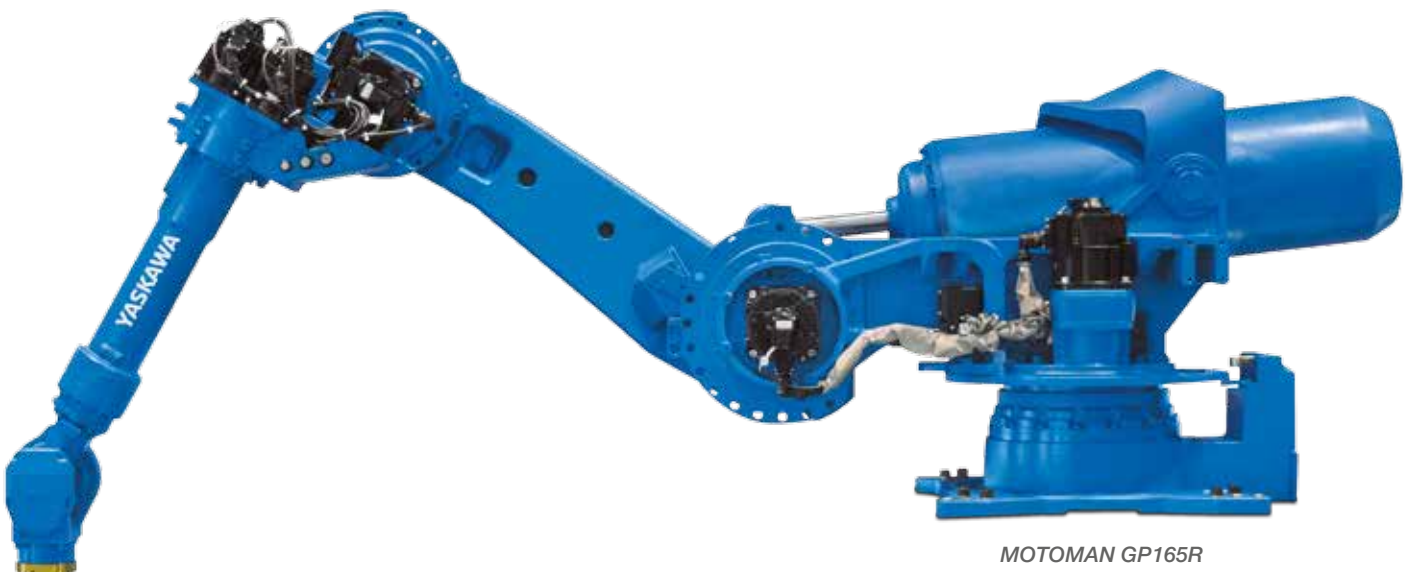
VORTEILE IM ÜBERBLICK

- Flexible and powerful (165 – 400 kg payload)
- Streamlined design for minimal space requirements
- Shelf-mounted:
 - Working range extended
 - Simple gripping of components
- Possibility of mounting on machine

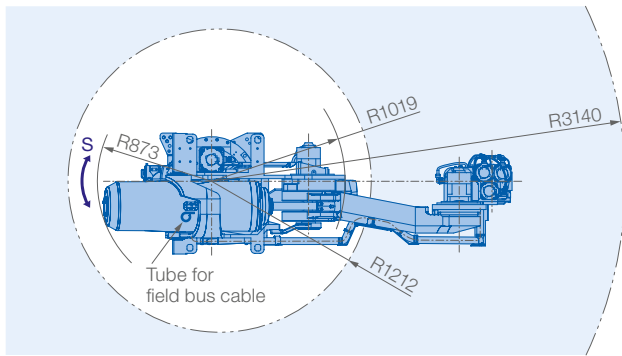
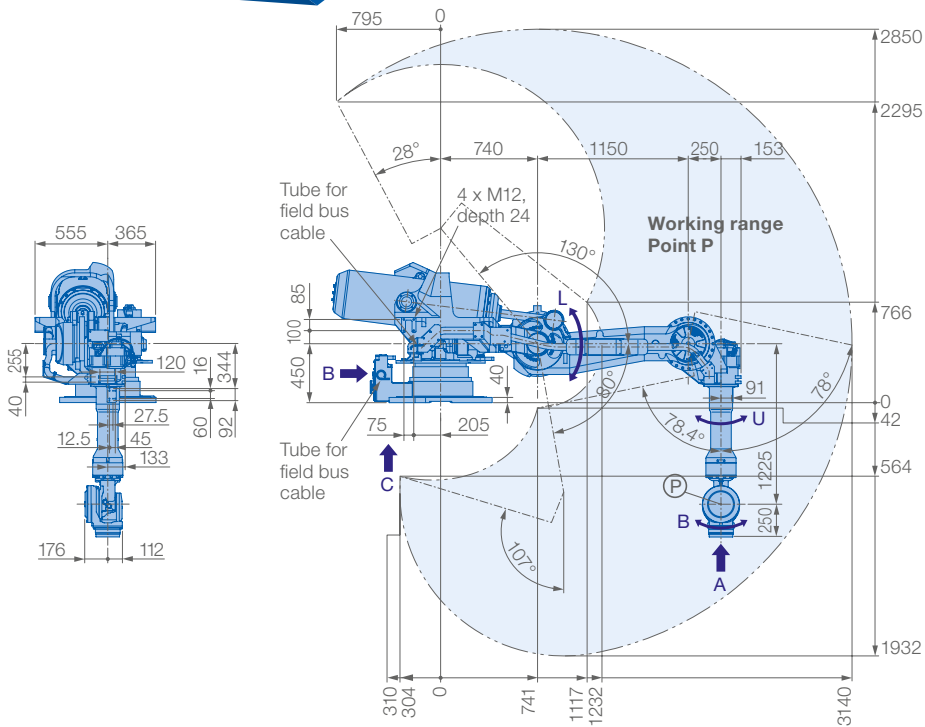
MOTOMAN GP165R, GP200R and GP400R

The flexible MOTOMAN GP165R, GP200R and GP400R are 6-axis shelf-mounted robots. Due to this higher position they are able to unload work pieces from above. This saves precious floor space and ensures that the space required for tool changing is kept free. Furthermore, the internal cable routing extends the service life of the robots, increases safety and reduces cycle times. They offer high productivity, reliability and maximum performance in the areas of handling, machine tending and press brake tending.

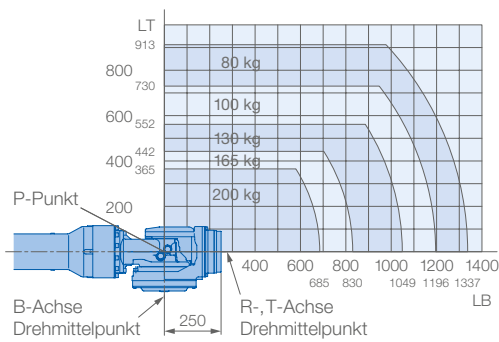
These robots are controlled by the compact high performance MOTOMAN YRC1000 controller. It is available with the optional Functional Safety Unit (FSU) that offers a wide range of new safety functions.



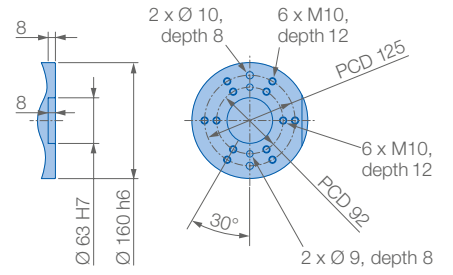
MOTOMAN GP165R



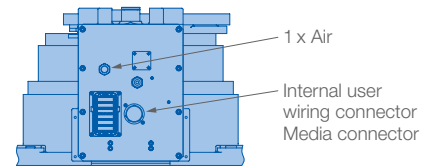
Allowable wrist load



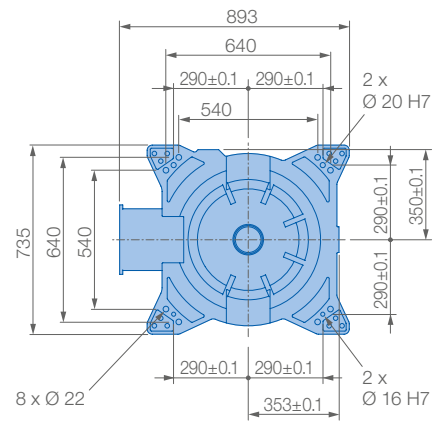
View A



View B

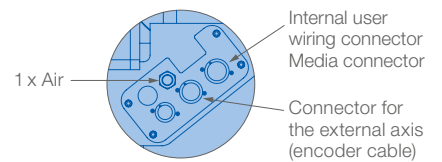


View C



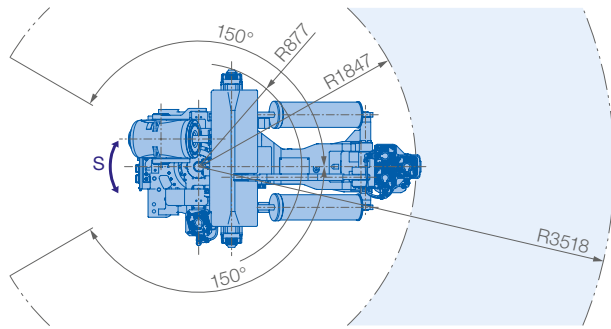
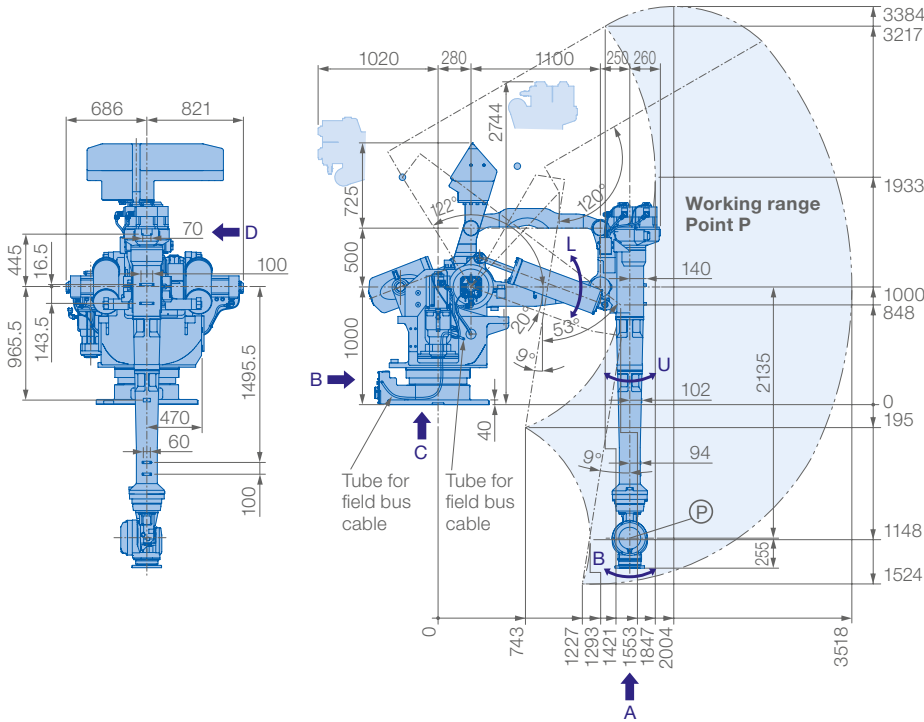
Mounting option: Shelf-mounted
Protection class: IP54/67

View D

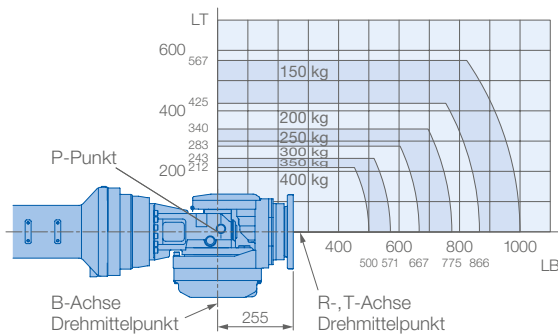


Specifications GP200R

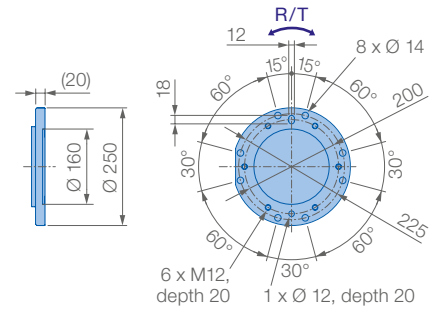
Axes	Maximum motion range [°]	Maximum speed [°/sec.]	Allowable moment [Nm]	Allowable moment of inertia [kg · m ²]	Controlled axes	6
S	±180	90	-	-	Max. payload [kg]	200
L	+80/-130	85	-	-	Repeatability [mm]	±0,2
U	+78/-78.4	85	-	-	Max. working range R [mm]	3140
R	±360	120	1344	143	Temperature [°C]	0 to +45
B	±125	120	1344	143	Humidity [%]	20 - 80
T	±360	190	715	80	Weight [kg]	1830
					Power supply, average [KVA]	5



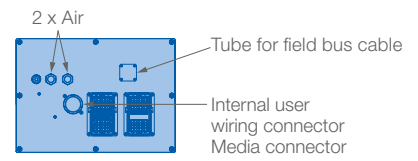
Allowable wrist load



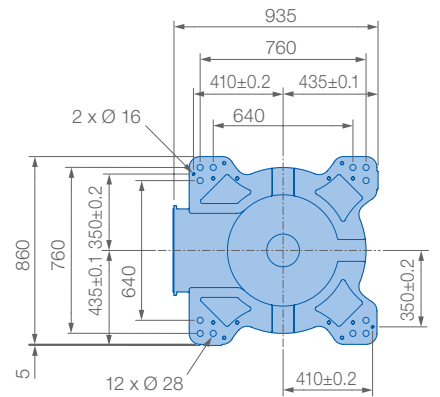
View A



View B

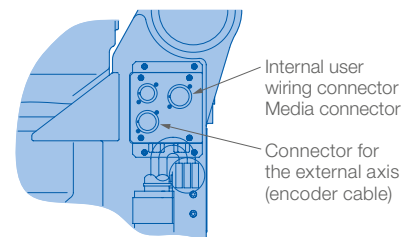


View C

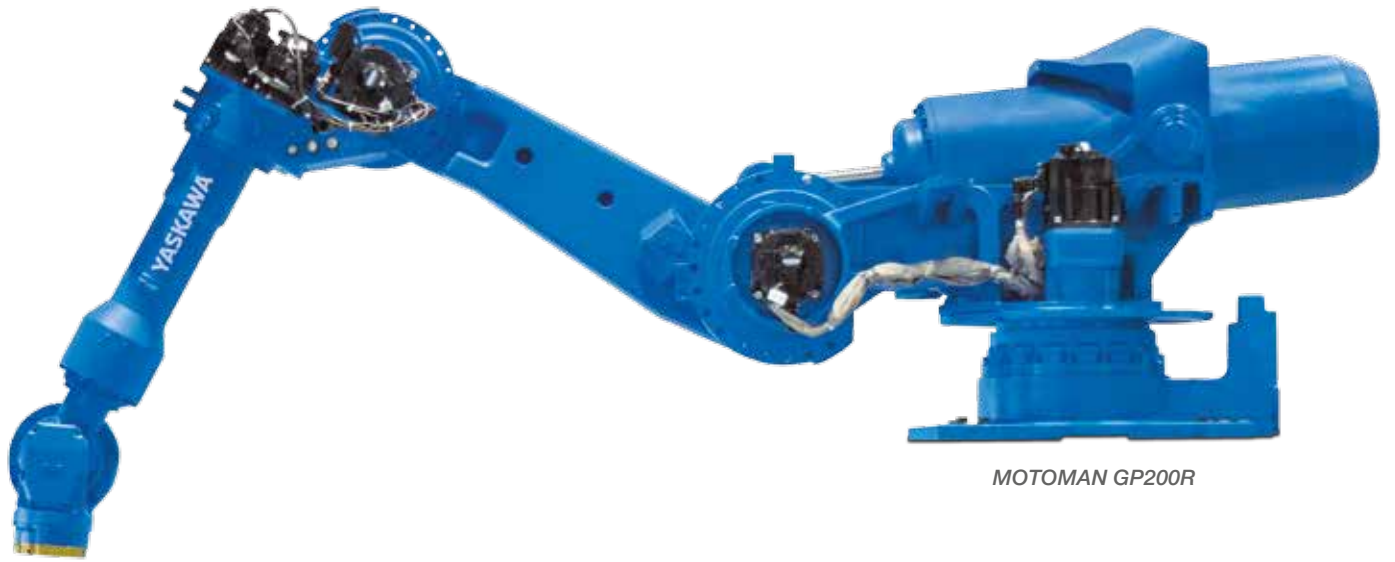


Mounting option: Shelf-mounted
Protection class: IP54/67

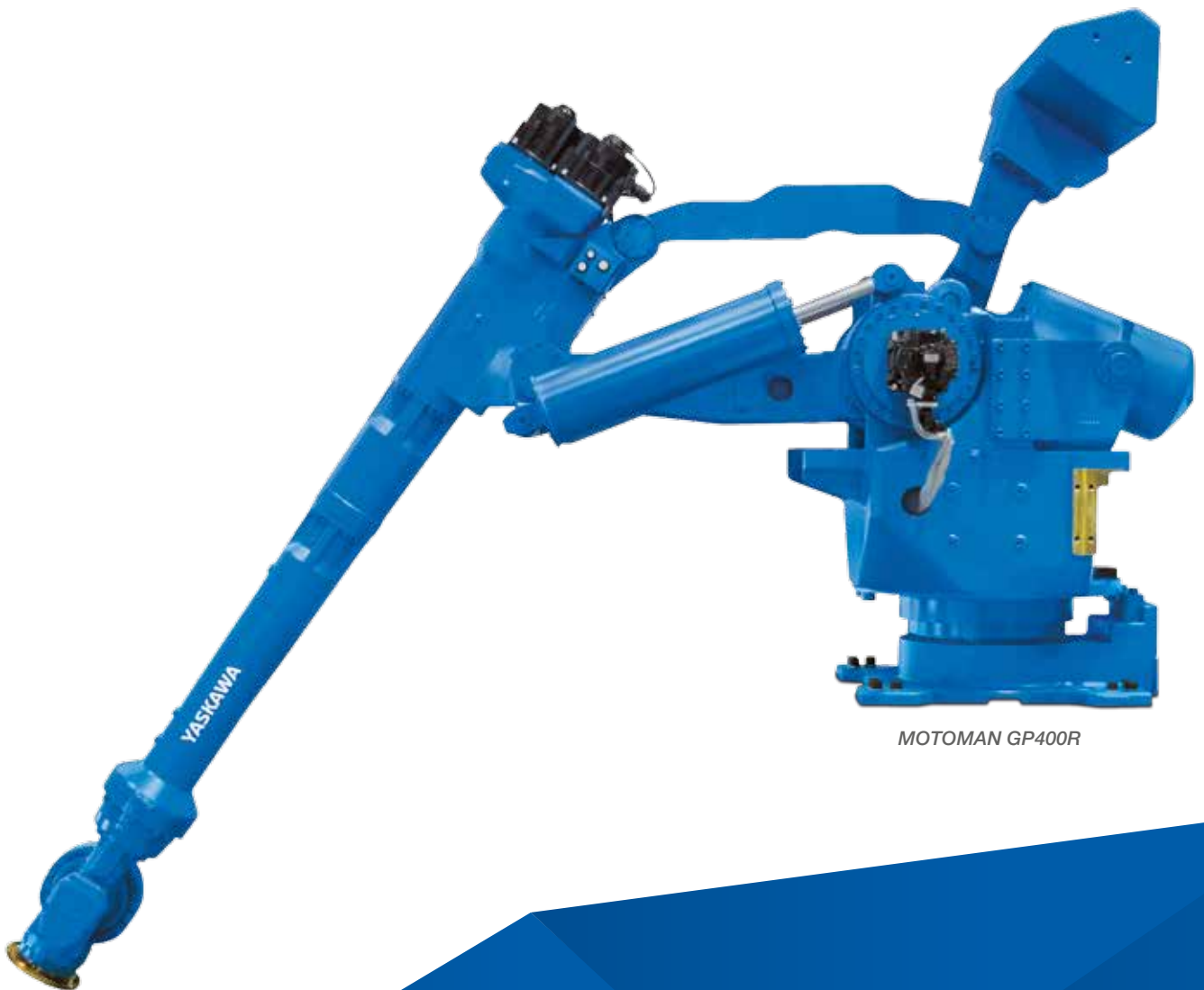
View D



Specifications GP400R						
Axes	Maximum motion range [°]	Maximum speed [°/sec.]	Allowable moment [Nm]	Allowable moment of inertia [kg · m ²]	Controlled axes	6
S	±150	80	-	-	Max. payload [kg]	400
L	+20/-122	80	-	-	Repeatability [mm]	±0.5
U	+120/-9	80	-	-	Max. working range R [mm]	3518
R	±360	80	1960	150	Temperature [°C]	0 to +45
B	±120	80	1960	150	Humidity [%]	20 - 80
T	±360	160	833	50	Weight [kg]	3560
					Power supply, average [KVA]	7,0



MOTOMAN GP200R



MOTOMAN GP400R

YASKAWA GROUP

AT	YASKAWA Austria Schwechat/Wien +43(0)1-707-9324-15
CZ	YASKAWA Czech s.r.o. Rudná u Prahy +420-257-941-718
ES	YASKAWA Ibérica, S.L. Gavà/Barcelona +34-93-6303478
FR	YASKAWA France SARL Le Bignon +33-2-40131919
FI	YASKAWA Finland Oy Turku +358-(0)-403000600
GB	YASKAWA UK Ltd. Banbury +44-1295-272755
IT	YASKAWA Italia s.r.l. Torino +39-011-9005833
IL	YASKAWA Europe Technology Ltd. Rosh Ha'ayin +972-3-9004114
NL	YASKAWA Benelux B.V. Eindhoven +31-40-2895500
PL	YASKAWA Polska Sp. z o.o. Wrocław +48-71-7928670
RU	YASKAWA Nordic AB Moskva +46-480-417-800
SE	YASKAWA Nordic AB Torsås +46-480-417-800
SI	YASKAWA Slovenia Ribnica +386-1-8372-410
TR	YASKAWA Turkey Elektrik Ticaret Ltd. Sti. İstanbul +90-216-5273450
ZA	YASKAWA Southern Africa (PTY) Ltd Johannesburg +27-11-6083182

DISTRIBUTORS

BG	ARAMET ROBOTICS Ltd. Yambol +359-885 317 294 Kammarton Bulgaria Ltd. Sofia +359-02-926-6060
DK	Robotcenter Danmark Løsning +45 7022 2477
EE	RKR Seadmed OÜ Tallinn/Estonia +372-68-35-235
GR	Gizelis Robotics Schimatari Viotias +30-2262057199
HU	Flexman Robotics Kft Budapest +36 1 259 0981
LT	Profibus UAB Panevezys +370-45-518575
NO	Skala Robotech AS Lierstranda +47-32240600
PT	ROBOPLAN Lda Aveiro +351-234 943 900
RO	Sam Robotics srl Timisoara +40-720-279-866 MPL Automation S.R.L. Satu Mare +40 (0) 261 750 741



YASKAWA Headquarters

YASKAWA Europe GmbH
Robotics Division
Yaskawastraße 1
85391 Allershausen, Germany
Tel. +49 (0) 8166/90-0
Fax +49 (0) 8166/90-103

robotics@yaskawa.eu.com
www.yaskawa.eu.com

YASKAWA ACADEMY and sales office Frankfurt

YASKAWA Europe GmbH
Robotics Division
Hauptstraße 185
65760 Eschborn, Germany
Tel. +49 (0) 6196/77725-0
Fax +49 (0) 6196/77725-39

All dimensions in mm.
Technical data may be subject to change without previous notice.
Please request detailed drawings at robotics@yaskawa.eu.com.

YR-1-06VR165-A00, YR-1-06VR200-A00, YR-1-06VR400-A00
MOTOMAN GP-Shelltype-series
A-05-2019, A-No. 205240

YASKAWA